

Rebling Datasheet: Avionics Receptacle Style 1 with Hollow Posts

The members of Rebling’s family of avionics bulkhead-mounted receptacle connectors conform to and are QPL’d to Mil Specs MS25182, MS3509, Mil-PRF-18148, Mil-E-18148 and Mil-E-81099 and are available under Rebling’s Cage Code 30525. The receptacles highlighted on this datasheet are those which have straight hollow posts as the termination configuration at the rear of the receptacle. Receptacles with different profiles and different rear termination options can be found on other datasheets.



Electrical (per MIL PRF 18148)

Current	
Rated Current	750 amps
Peak Current	1,500 amps
Voltage & Resistance	
Rated Voltage (DC)	750 volts
Dielectric Withstanding Voltage (DC)	2,500 volts
Contact Resistance (maximum)	60 micro-ohms

Mechanical (per MIL PRF 18148)

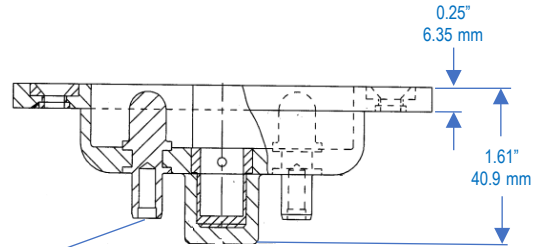
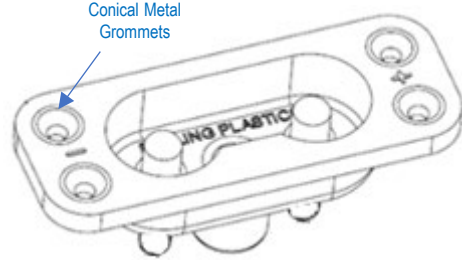
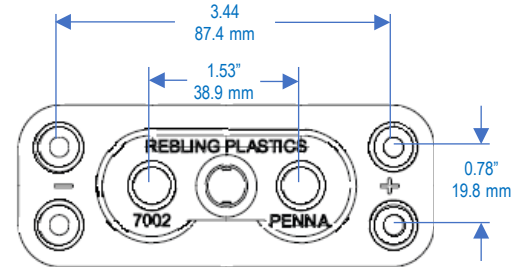
Flammability Rating	UL94 HB
Environmental Sealing	with standard Kit Components ----- IP56 with Optional Gasket ----- IP68
Operating Temperature	-85 to +71 C°
Mechanical Shock	20 Gs – 3 axes
Vibration	10 Gs – 3 axes
Mating Cycles (no electrical load)	1,500 cycles

Compliance

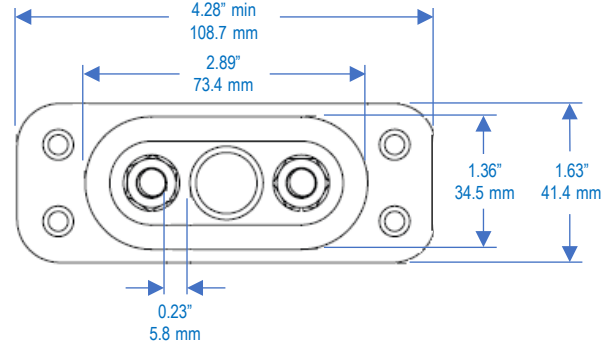
RoHS, REACH, CMRT/3TG All parts listed on this datasheet are RoHS, REACH and CMRT/3TG Compliant

Application Notes

- #8 or M4 flathead 82 degree screws are recommended for mounting the connector to the panel.
- EMI Shielded Receptacles - see the datasheet for Rebling’s EMI Receptacle P/N 7009-51
- Electrical connections are made to the rear of the 7002-3 using the included steel drive pins which, when hammered into the center of the connector’s silver plated hollow copper posts, expand the hollow posts causing a force fit between the expanded copper post and the metal bus bar or metal adapter the Customer wishes to attach to the rear of the receptacle.



For complete dimensions, download 3D Step files of Receptacle and Accessories at Rebling.com





P/N	Description	Plastic Color	Weight (Grams)
7002-3	Receptacle Kit, Thermoplastic	Blue	105
7002-15	Receptacle Kit, Thermoset	Blue	122
7002-37	Receptacle, Style 1, No Contacts	Gray	84

*Receptacle Kit = one Receptacle + two Steel Drive Pins
Gaskets and Protective Backshells can be found on the Avionics Receptacle Accessories Datasheet



Mounting Hole Pattern

